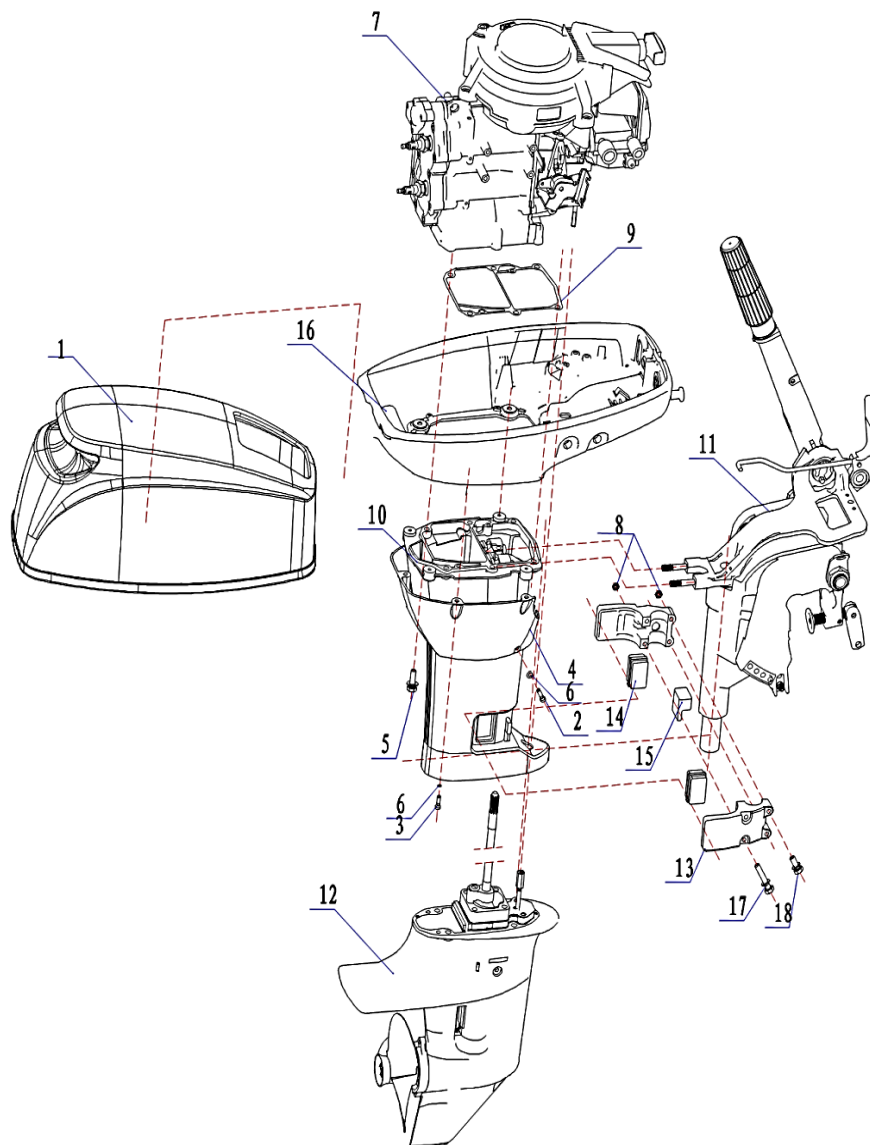


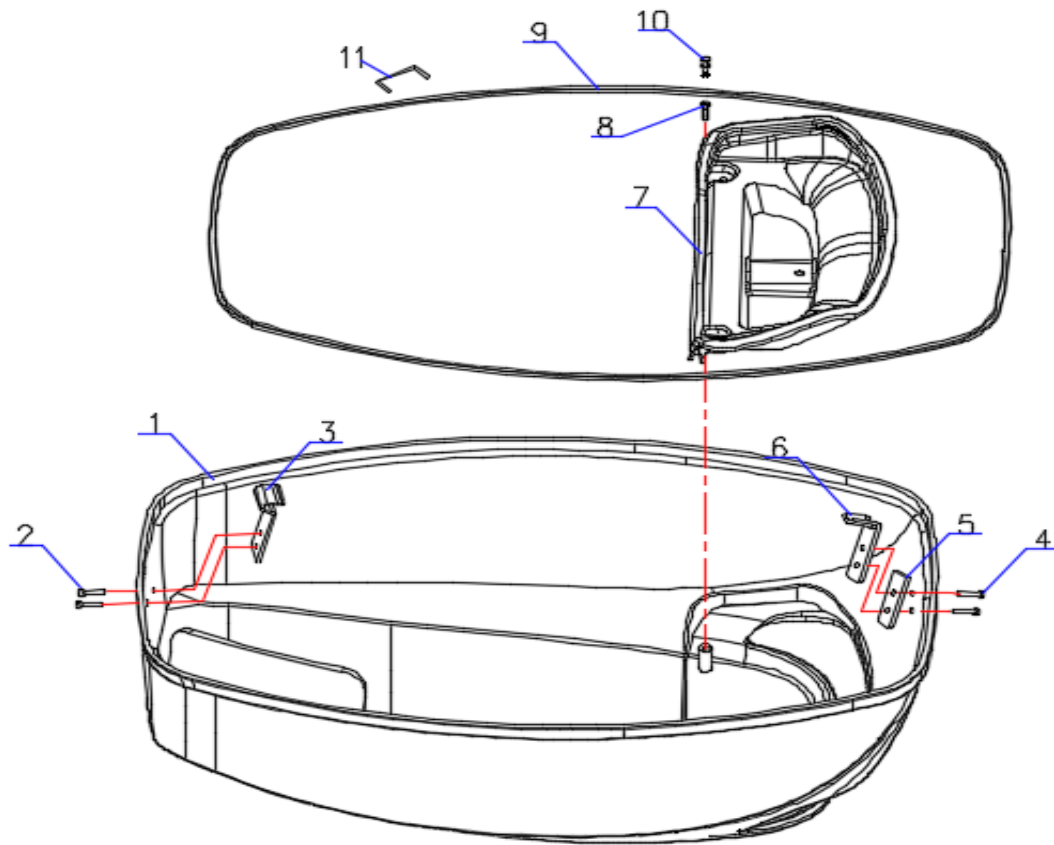


**Мотор лодочный Marine Rocket MR9.9FHS (246 см<sup>3</sup>)**



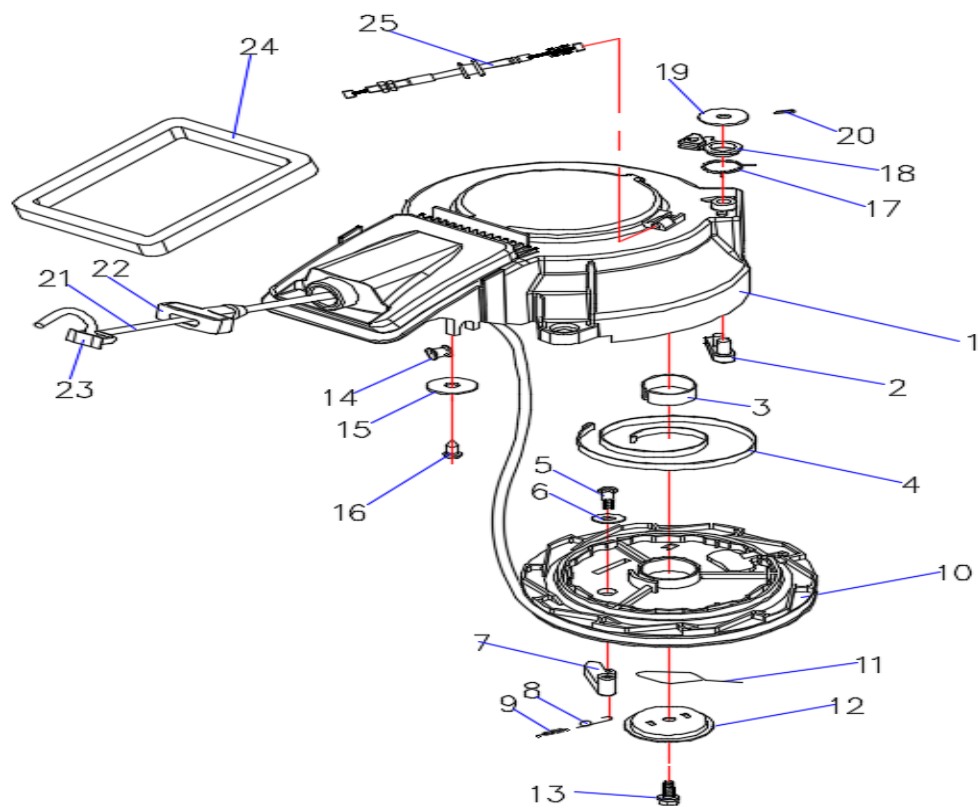
## 1. Узлы и блоки

NO.	КОД MR	КОД №2	КОД OEM	НАИМЕНОВАНИЕ	ШТ	УПАКОВКА
1	MR030216	MR08010010		Top cowling assy.	1	1
2	MR0104077BAG			Screw M5*12	2	10
3	MR0104077BAG			Screw M5*12	5	10
4	MR090701070102	MR07010016	15F-00.05	Decarate casing	1	1
5	MR01044130BAG			Flat gasket&bolts	6	5
6	MR0104157BAG		GB848□	flate gasket	7	10
7	MR030701	MR08030007	15F-01.00.00	power head unit	1	1
8	MR0104142BAG			Bolts	4	10
9	MR01050109		15F-01.06.29	Seal ring	1	1
10			15F-05.00.00	Top cowling	1	
11			15F-03.00.00	Crankshaft piston	1	
12			15F-06.00.00	Bottom cowling	1	
13	MR090701010101BAG	MR07010001	15F-00.01	Cushion blocking casing	2	
14	MR01060101		15F-00.02	Cushion blocking A	2	1
15	MR01060102		15F-00.03	Cushion blocking B	1	1
16	MR090701010109	MR07010002	15F-02.00.00	Bottom casing	1	1
17	MR0104412BAG			Flat gasket&bolts	2	10
18	MR0104411BAG			Flat gasket&bolts	2	10



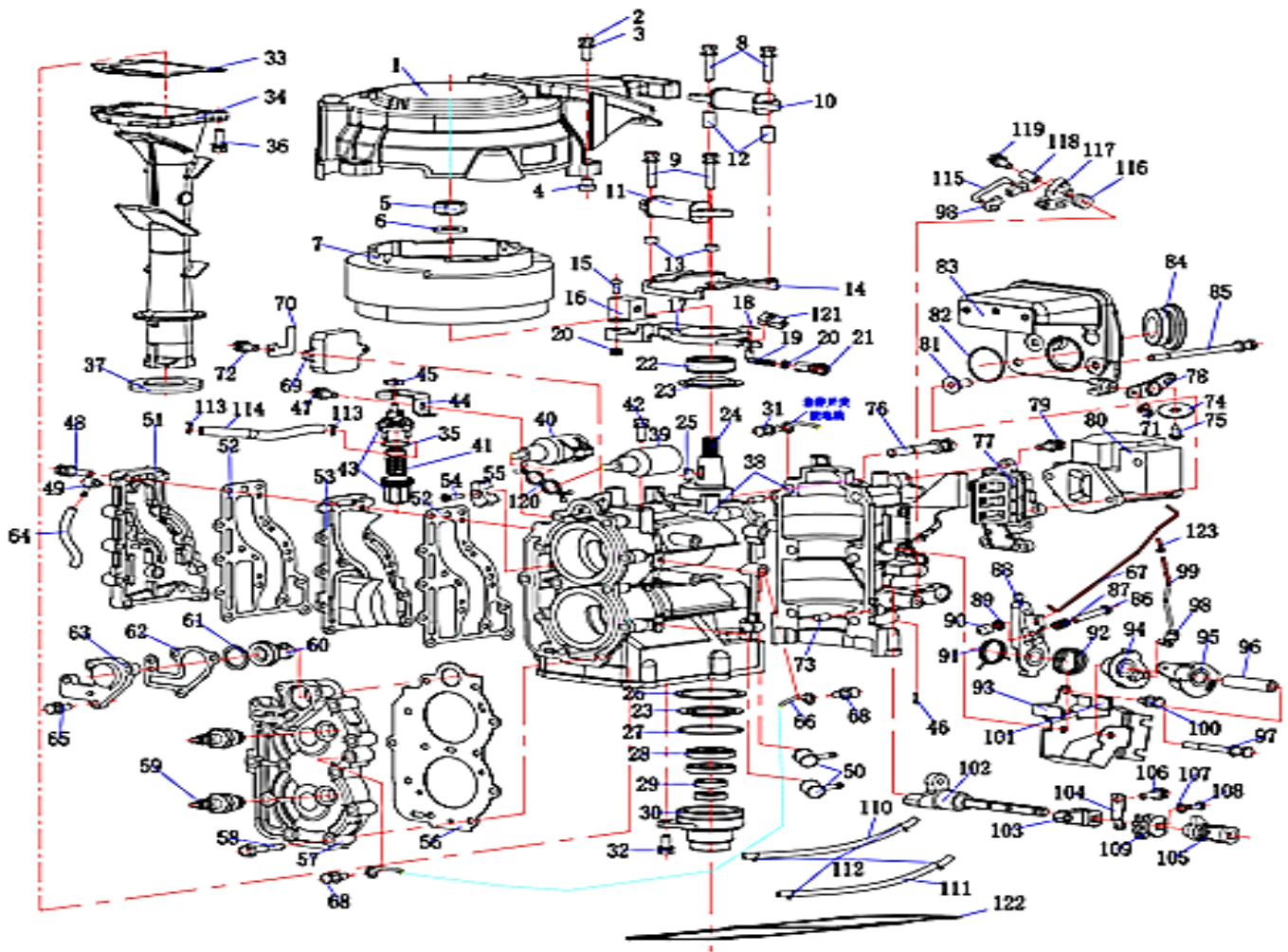
## 2.Капот

NO.	КОД MR	КОД №2	КОД OEM	НАИМЕНОВАНИЕ	ШТ	УПАКОВКА
1	MR01070176		15F-07.01	Top cowling	1	1
2	MR0104287		15F-07.08.10	Lock Hook(front)	2	1
3	MR2080507001		4x14	Rivet	1	1
4	MR0104228		15F-07.08.11		2	1
5	MR2080507002		15F- II -07.08	Lock Hook(II)	1	1
6	MR010801480		15F- II -07.00.00.02	Cap,air inlet	1	1
7	MR01070177		15F-07.00.13	Cap,air inlet	1	1
8	MR0104090BAG		GB845 ST4.2*13	Cross recessed pan head tapping screws	3	10
9	MR01060141		15F-07.06	Rubber seal ring	1	1
	MR030216	MR08010010		Top cowling assy.	1	1



### 3. Ручной стартер

NO.	КОД MR	КОД №2	КОД OEM	НАИМЕНОВАНИЕ	ШТ	УПАКОВКА	YAMAHA
1	MR01070103		15F-01.01.01	Casing, Starter cover assy.	1	1	63V-15711-02
2	MR01070111		15F-01.01.12	Brake	1	1	63V-15794-00
3	MR01070106BAG		15F-01.01.06	Bushing, Start wheel	1	2	63V-15753-00
4	MR01090101		15F-01.01.11	Volute spring	1	1	63V-15713-00
5	MR0104078BAG		GB818 M5x14	Pan head bolt with cross recess	1	10	
6	MR0104163BAG		GB96 M5	Flat gasket	1	10	
7	MR010718038BAG		F25-01.01.00.02	Drive arm	1	2	63V-15741-00
8	MR01090104BAG		15F-01.01.18	Spring, drive arm	1	2	63V-15767-01
9	MR01090103BAG		15F-01.01.17	Return spring	1	2	63V-15784-01
10	MR01070105		15F-01.01.05	Start wheel	1	1	63V-15714-00
11	MR01090105BAG		15F-01.01.20	Clip spring	1	2	63V-15705-01
12	MR01080103		15F-01.01.19	Starter plate	1	1	63V-15716-00
13	MR0104403BAG		GB9074.1 M6x12(8.8)	Bolt	1	10	
14	MR01080101		15F-01.01.03	Scroll, start rope	1	1	63V-15764-00
15	MR0104175BAG		GB5287 M6	Flat gasket 6	1	10	
16	MR0104095BAG		GB845 ST5.5x16	Bolts	1	10	
17	MR01090102BAG		15F-01.01.13	Torsional spring, brake	1	2	63V-15734-00
18	MR01070112BAG		15F-01.01.14	fixed collar, steel cable	1	2	63V-15748-00
19	MR01080102BAG		15F-01.01.15	Gasket	1	5	
20	MR01090107BAG		15F-01.03.11	Spring	1	10	91490-16018
21	MR01100103		15F-01.01.22	starter rope	1	1	
22	MR01060103		15F-01.01.08	Starter handle	1	1	6G1-15755-00
23	MR01070110BAG		15F-01.01.10	Cover, Starter handle	1	2	6G1-15779-00
24	MR010601070		15F-01.01.07	Damper	1	1	63V-15762-00
25	MR01100101		15F-01.01.21	Steel cable, brake	1	1	63V-15770-01
	MR030101	MR08020005	15F-01.01.00.00	Recoil starter(assemble assy.)	1	1	

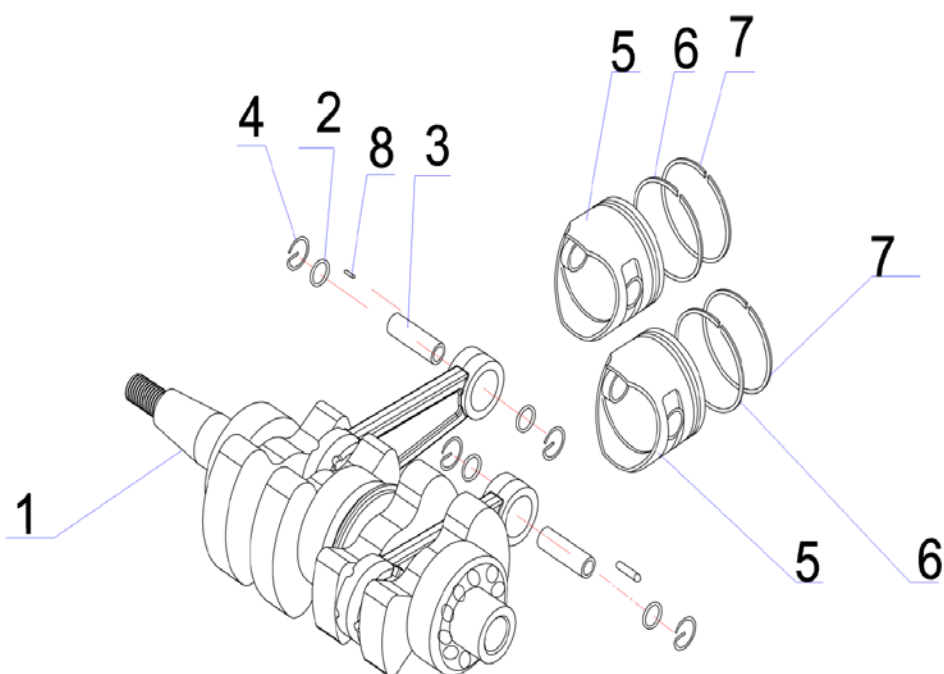


#### 4. Блок двигателя

NO.	КОД MR	КОД №2	КОД OEM	НАИМЕНОВАНИЕ	ШТ	УПАКОВКА	YAMAHA
1	MR030101	MR08020005	15F-01.01.00.00	Recoil starter(assemble assy.)	1	1	63V-15710-13
2	MR0104374BAG		GB5783 M6x25	Bolt	3	10	
3	MR01080152BAG		15F-01.01.25	start cover gasket	3	2	
4	MR01020101BAG		15F-01.01.04	Starter cover tube	3	5	90387-06M05
5	MR01080106		15F-01.03.19	Flying wheel nut	1	1	90170-12066
6	MR01080107BAG		15F-01.03.20	Flying wheel flat gasket	1	2	90201-12472
7	MR01030107B		15F-01.03.18.00	Flying wheel	1	1	63V-85550-11
8	MR0104409BAG		GB9074.1 M6x35(8.8)	Hexagonal bolt & flat gasket assy M6*35	2	10	
9	MR0104410BAG		GB9074.1 M6x40(8.8)	Bolt	2	10	
10	MR01030101B		15F-01.03.04	Charging coil	1	1	63V-85520-01
11	MR01030102B		15F-01.03.05	Lighting coil	1	1	63V-85533-00
12	MR01020104BAG		15F-01.03.03	bushing,Magneto	2	2	90387-06M53
13	MR01020103BAG		15F-01.03.02	bushing,Magneto	2	2	90387-06M24
14	MR01080105		15F-01.03.01	Fixing plate	1	1	63V-41611-00
15	MR0104077BAG		GB818 M5x12	Screw M5*12	2	10	
16	MR01030105B		15F-01.03.08	Impulsor s	1	1	63V-85580-01
17	MR01030104		15F-01.03.07	Inner cover,exhaust	1	1	
18	MR01041850BAG		GB91 1.6x12	Cotter pin 1.6*12	1	10	
19	MR01090106BAG		15F-01.03.10	L-screw	1	2	
20	MR0104137BAG		GB6170 M5	Hexagon nut M5	3	10	
21	MR01070117BAG		15F-01.03.12	Linkage connector	1	2	
22	MR01050110		15F-01.06.30	Oil seal	1	1	93110-23M00
23	MR01080113BAG		15F-01.06.31	shaft cover	2	2	63V-11445-00
24			15F-01.06.00.00	shaft piston Assy.	1		
25	MR01100104BAG		15F-01.06.34.19	woodruff key	1	2	
26	MR01080142BAG		15F-01.06.32	Big gasket	1	5	
27	MR01060110		15F-01.06.28	O-seal gasket	1	1	93210-46M16
28	MR01050107		15F-01.06.26	Oil seal	2	1	93101-25018
29	MR01050108		15F-01.06.27	Oil seal	2	1	93101-13018
30	MR01010108	MR090701010108	15F-01.06.25	oil seal cover	1	1	63V-15396-01-94
31	MR0104402BAG		GB9074.1 M6x10(8.8)	Hexagonal bolt & flat gasket assy M6*10	1	10	
32	MR0104404BAG		GB9074.1 M6x16(8.8)	Bolt	1	10	
33	MR01050126BAG		15F-05.10	Cover gasket,exhaust pipe	1	2	63V-41133-A1
34	MR01010116		15F-05.09	Exhaust pipe	1	1	65F-41131-00-5B
35	MR01060112BAG		15F-01.07.05.06	O ring,filter	1	2	93210-32738

36	MR0104406BAG		GB9074.1 M6x20 (8.8)	Flat gasket&Bolt	5	10	
37	MR01060131BAG		15F-05.11	damper	1	2	63V-41135-00
38	MR01010102	MR090701010102	15F-01.06.00	shaft casing Assy.	1	1	63V-15100-02-1S
39	MR01030109B		15F-01.03.14	Ignition coil A	1	1	63V-85570-00
40	MR01030110B		15F-01.03.15	Ignition coil B	1	1	
41	MR2072701075A		F60-01.07.01.31	fuel fliter	1	1	61N-24563-00
42	MR0104406BAG		GB9074.1 M6x20(8.8)	Flat gasket&Bolt	2	10	
43	MR01070165		15F-01.07.05.05	Inner cover,exhaust	1	1	61N-24560-00
44	MR01080112		15F-01.06.23	outer cover,exhaust	1	1	682-24566-01
45	MR0104139BAG		GB6170 M8	Bolt nut	1	10	
46	MR01020111BAG		15F-01.06.21	Air Tube fitting B	1	2	
47	MR0104403BAG		GB9074.1 M6x12(8.8)	Bolt	1	10	
48	MR0104408BAG		GB9074.1 M6x30(8.8)	Bolt	13	10	
49	MR01020109		15F-01.06.10	water Tube fitting B	1	1	
50	MR01020108		15F-01.06.03	Joint,air breather tube	2	1	
51	MR01010104	MR090701010104	15F-01.06.08	Exhaust cover (outlet)	1	1	63V-41113-00-1S
52	MR01050102BAG		15F-01.06.09	Joint,air breather tube	2	2	63V-41112-A0
53	MR01010103	MR090701010103	15F-01.06.07	Exhaust cover (intake)	1	1	63V-41111-00-1S
54	MR0104111BAG		GB819 M5x16	Bolt	1	10	
55	MR01010107		15F-01.06.18	Adone	1	1	682-11325-00
56	MR01050103		15F-01.06.12	cylinder gasket	1	1	63V-11181-A2
57	MR01010105	MR090701010105	15F-01.06.13	cylinder cover	1	1	6E7-11111-01-1S
58	MR0104059BAG		GB5789 M6x35(10.9)	bolt	11	10	
59	MR01030308		BR7HS (15F/40F)	spark plug	2	1	
60	MR01050104		15F-01.06.14-50°	thermostat 50°C	1	1	6E5-12411-30
61	MR01080114BAG		15F-01.06.14.01	Big gasket	1	5	688-12412-00
62	MR01050105BAG		15F-01.06.15	thermostat gasket	1	5	682-12414-A1
63	MR01010106	MR090701010106	15F-01.06.16	thermostat cover	1	1	682-12413-00-1S
64	MR01060108BAG		15F-01.06.11	Rubber hose	1	5	
65	MR0104406BAG		GB9074.1 M6x20(8.8)	Flat gasket&Bolt	4	10	
66	MR01100102BAG		15F-01.06.04	Throttle cable connecting Assy.	1	2	
67	MR01090111BAG		15F-01.04.11	chock lever	1	2	
68	MR0104402BAG		GB9074.1 M6x10(8.8)	Hexagonal bolt & flat gasket assy M6*10	2	10	
69	MR01030108B		15F-01.03.13	CDI	1	1	63V-85540-01
70	MR010801030BAG		15F-01.03.06	Fixation clip	1	2	
71	MR01070116		15F-01.02.07	chock lever joint A1	1	1	661-41262-02
72	MR0104406BAG		GB9074.1 M6x20(8.8)	Flat gasket&Bolt	2	10	
73	MR01020110BAG		15F-01.06.20	Locating Pin 2*6	2	10	
74	MR0104163BAG		GB96 M5	Flat gasket	1	10	
75	MR0104093BAG		GB845 ST4.8x16	bolt	1	10	
76	MR0104065BAG		GB5787 M8*60(10.9)(S10)	Flange bolt	6	5	
77	MR010501090		15F-01.06.24.00	Inlet valve seat	1	1	63V-13610-10
78	MR01070115BAG		15F-01.02.05	Rocker arm,chock,	1	2	
79	MR0104406BAG		GB9074.1 M6x20(8.8)	Flat gasket&Bolt	3	10	
80	MR01050101		15F-01.02.08.00	Carburetor Assy	1	1	63V-14301-00
81	MR01020102BAG		15F-01.02.03	Shoulder pad tube	2	2	90387-06M15
82	MR01060104BAG		15F-01.02.02	silencer o-ring	1	5	93210-35M86
83	MR01070114		15F-01.02.01.00	Air intake silencer Assy.	1	1	63V-14440-00
84	MR01060105BAG		15F-01.02.04	rubber plug	1	2	
85	MR01044120BAG		GB9074.1 M6x115(8.8)	bolt&flat gasket Assy.	2	5	
86	MR0104378BAG		GB823 M6x35	screw	1	10	
87	MR01090110BAG		15F-01.04.06	Compression spring	1	2	90501-12M16
88	MR01070120		15F-01.04.05	magneto control lever	1	1	63V-41631-00
89	MR0104138BAG		GB6170 M6	Hex Nut M6	1	10	
90	MR01070121BAG		15F-01.04.07	screw cap	1	2	
91	MR01090108BAG		15F-01.04.02	torsion spring	1	2	90508-16M37
92	MR01090109BAG		15F-01.04.03	torsion spring	1	2	90508-20M38
93	MR01080108		15F-01.04.01	mounting bracket	1	1	63V-14497-02
94	MR01070123		15F-01.04.09	Connecting block,throttle	1	1	63V-41283-01
95	MR01070122BAG		15F-01.04.08	Fixed sleeve, wire Assy.	1	2	63V-41638-00
96	MR01020106BAG		15F-01.04.04	bushing	1	2	90387-06M50
97	MR01044111BAG		GB9074.1 M6x65(8.8)	Hex Bolt M6*65	1	10	
98	MR01070116		15F-01.02.07	chock lever joint A1	3	1	661-41262-02
99	MR01090112BAG		15F-01.05.08	Throttle lever	1	2	63V-41211-00
100	MR0104402BAG		GB9074.1 M6x10(8.8)	Hexagonal bolt & flat gasket assy M6*10	1	10	
101	MR01060106BAG		15F-01.04.10	rubber limited block	1	10	
102	MR01070169		15F-01.05.01	shift lever	1	1	63V-44123-01
103	MR01070127BAG		15F-01.05.04	shift lever block	1	5	63V-44121-01
104	MR01080111BAG		15F-01.06.22	shift located spring plate	1	2	63V-44116-00
105	MR01070126BAG		15F-01.05.03	shift rocker arm	1	5	63V-44122-01
106	MR0104403BAG		GB9074.1 M6x12(8.8)	Bolt	1	10	
107	MR0104157BAG		GB848 M5	flate gasket	3	10	
108	MR0104077BAG		GB818 M5x12	Screw M5*12	3	10	

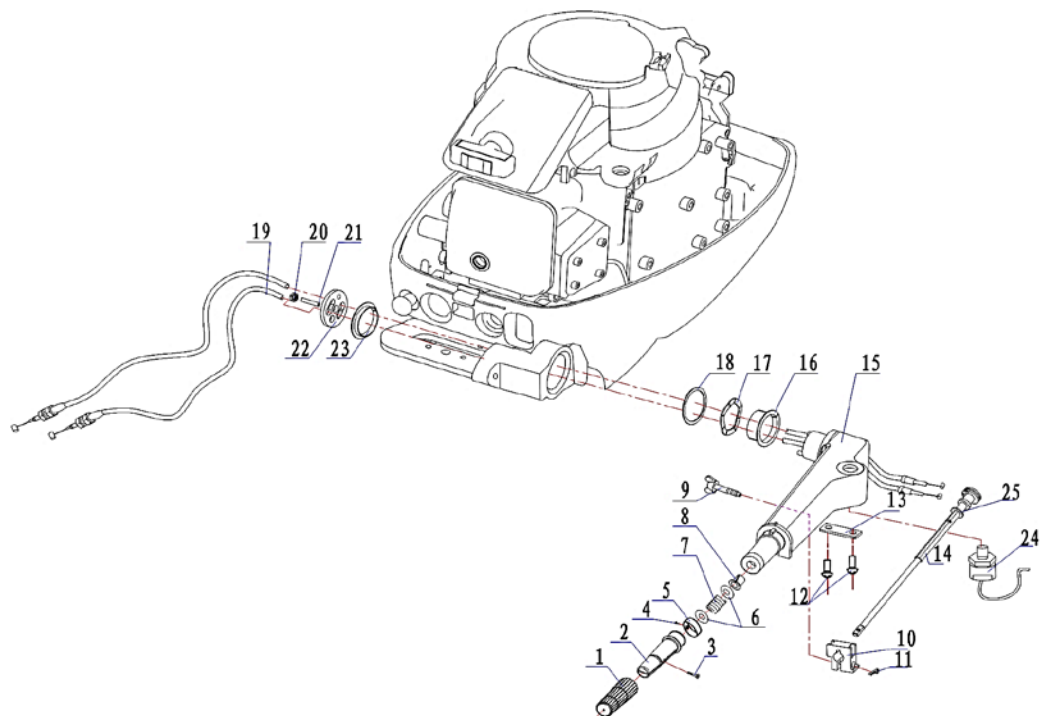
109	MR01070164		15F-01.05.06	shift located block	1	1	63V-44125-00
110	MR01060107BAG		15F-01.06.05	rubber hose	1	2	
111	MR01060179BAG			rubber hose	1	2	
112	MR01090137BAG		15F-01.06.06	Tube clip	4	10	
113	MR01090139BAG			Clamp $\phi$ 10	2	10	
114	MR01060111BAG		15F-01.07.03	rubber hose	1	2	
115	MR01090113BAG		15F-01.05.11	rocker lever	1	2	6L2-15747-00
116	MR01090114BAG		15F-01.05.12	tursion spring,cable bottom sleeve	1	2	90508-08M39
117	MR01070128BAG		15F-01.05.09	cable bottom sleeve	1	2	63V-15746-10
118	MR01020107BAG		15F-01.05.10	bushing,	1	2	90387-06M06
119	MR0104406BAG		GB9074.1 M6x20(8.8)	Flat gasket&Bolt	1	10	
120	MR01070118BAG		15F-01.03.17	Wire fixer	1	5	
121	MR010801060BAG		15F-01.03.09	fixed clip	1	5	
122	MR01050109		15F-01.06.29	Seal ring	1	1	
123	MR01060512BAG		F9.9-01.04.00.05	linkage cover	2	2	



### 5. Коленвал

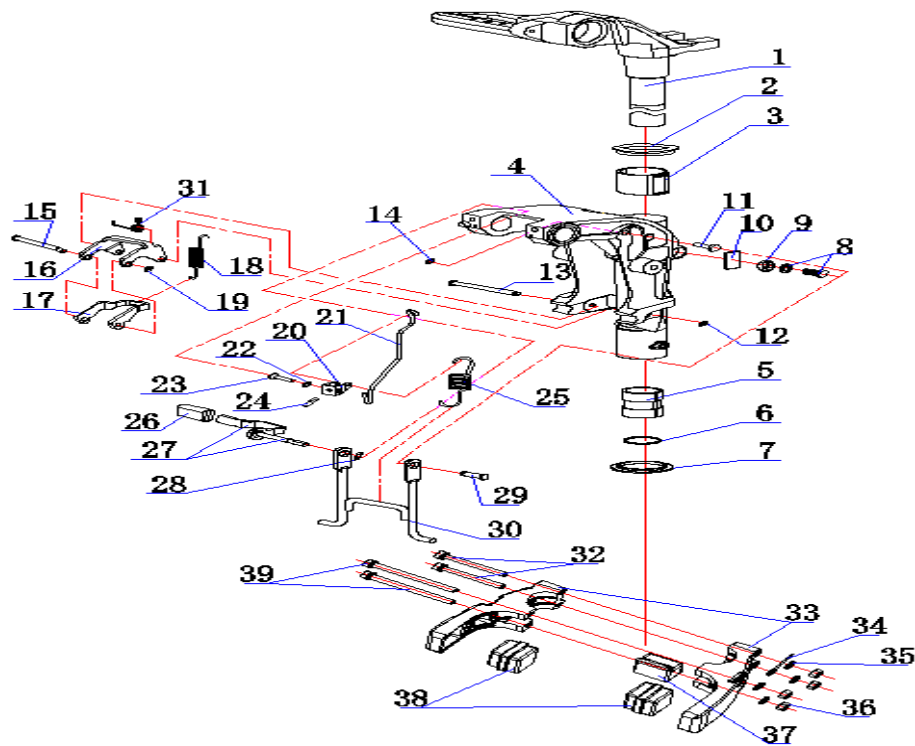
NO.	КОД MR	КОД №2	КОД OEM	НАИМЕНОВАНИЕ	ШТ	УПАКОВКА	YAMAHA
1	MR01050111		15F-01.06.33.00	Crankshaft	1	1	63V-11400-01
2	MR01080143BAG		15F-01.06.33.17	Needle bearing plate	4	10	90201-14377
3	MR01050220BAG		F15-01.02.02.06	Pin,piston	2	2	634-11633-00
4	MR01050216BAG		F15-01.02.02.02	Circlip	4	10	93450-15023
5	MR01050120B			Piston	2	1	6E7-11631-00-97
6	MR01050122		15F-01.06.33.13	Top ring	2		682-11610-01
7	MR01050121		15F-01.06.33.12	2nd ring	2		
8	MR01050124BAG		15F-01.06.33.16	Roller pin	50	25	93602-14104





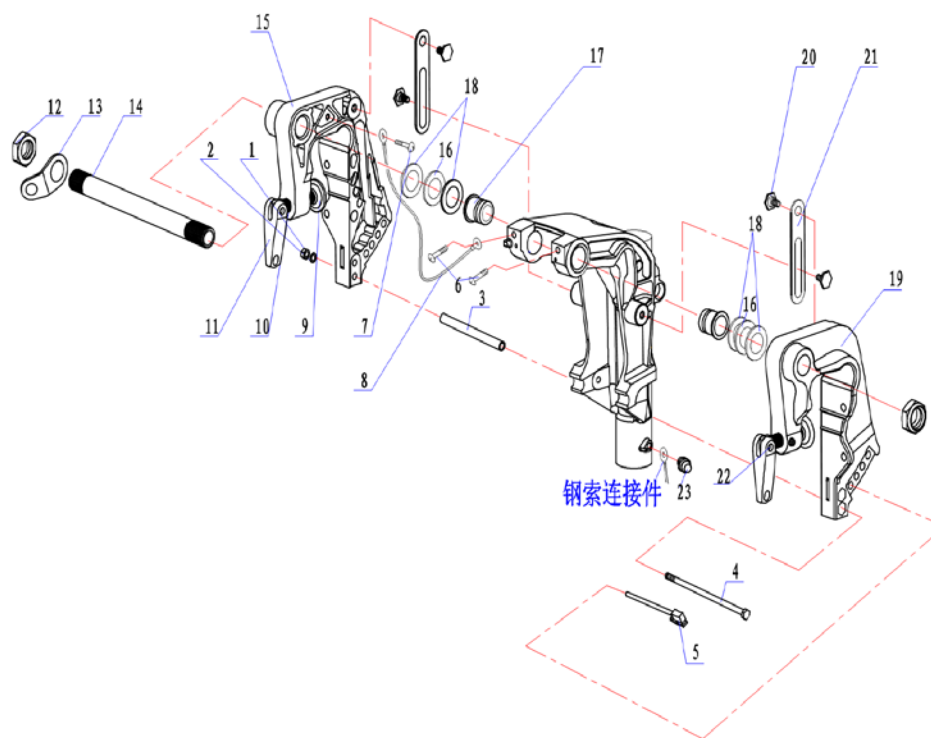
## 6. Румпель

NO.	КОД MR	КОД №2	КОД OEM	НАИМЕНОВАНИЕ	ШТ	УПАКОВКА	YAMAHA
1	MR01060124		15F-04.07.14	Handle Rubber sleeve	1	1	6G1-42177-00
2	MR01070154		15F-04.07.13	Handle	1	1	664-42119-00
3	MR0104117BAG		GB820 M5×25	Screw M5*25	1	10	90149-05M13
4	MR010408809BAG		GB845 ST2.2×4.5	Screw	1	10	
5	MR01100366BAG		F4-04.11-II	Indicator, throttle	1	2	
6	MR0104160BAG		GB848 M10	Flat Pad 10	2	10	90201-10M02
7	MR01090124BAG		15F-04.07.11	Spring	1	2	90501-23215
8	MR01070153BAG		15F-04.07.12	Bushing	1	2	90386-08032
9	MR01020126		15F-04.07.09	Resistance adjustment knob	1	1	6G1-42125-01
10	MR01070152BAG		15F-04.07.08	locking segment	1	5	6G1-42126-00
11	MR01041850BAG		GB91 1.6×12	Cotter pin 1.6*12	1	10	
12	MR0104077BAG		GB818 M5×12	Screw M5*12	2	10	97885-05012
13	MR01080131BAG		15F-04.07.07	Throttle lever plate	1	2	6E0-42159-02
14	MR01070151		15F-04.07.05	Throttle Lever	1	1	6G1-42138-01
15	MR090701010114	MR07010005	15F-04.07.01	Steering handle	1	1	63V-42111-01-4D
16	MR01070150BAG		15F-04.06	Open nylon bushing(long)	1	2	90386-34M97
17	MR01080130BAG		15F-04.05	Handle wave washer	1	2	90206-36M21
18	MR01070148BAG		15F-04.03	Nylon washer	1	2	90202-36M55
19	MR01100110		15F-04.07.04	Throttle cable	2	1	6L2-26301-01
20	MR0104147BAG		DIN985 M8	Hexagon nylon lock nut	1	10	90185-08057
21	MR01020125BAG		15F-04.07.02	Double screw bolt (short)	1	2	90116-08016
22	MR01080129		15F-04.02	Steering handle plate	1	1	6G1-42131-02
23	MR01070149BAG		15F-04.04	Open nylon bushing(short)	1	2	90386-33M96
24	MR01100112		15F-04.07.03	emergency stop switches assy	1	1	65W-82575-01
25	MR0104161BAG		GB848 M12	Flat gasket 12	1	10	
	MR030801	MR08100006	15F-04.00.00.00	Tiller Assy.	1	1	



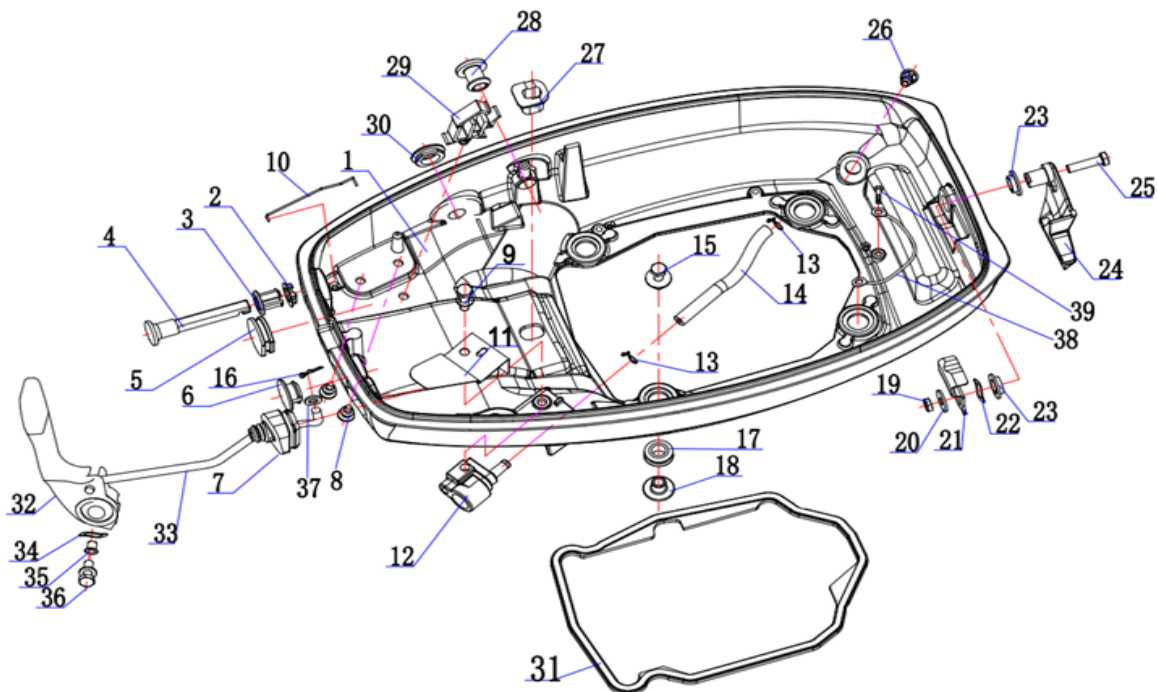
## 7. Bracket

NO.	КОД MR	КОД №2	КОД OEM	НАИМЕНОВАНИЕ	ШТ	УПАКОВКА	YAMAHA
1	MR090701010113	MR07010004	15F-04.01.00	Steering bracket comp.	1	1	63V-42511-04-4D
2	MR01080121		15F-03.09.05	ring gasket	1	1	90209-40008
3	MR01070142BAG		15F-03.09.03	Lock washer	1	2	65F-42537-00
4	MR090701010112	MR01010112	15F-03.09.01	Swivel bracket	1	1	63V-43311-03-4D
5	MR01070143BAG		15F-03.09.06	bushing (bottom)	1	2	90386-30048
6	MR01060121BAG		15F-03.09.07	O ring	1	2	93210-29M94
7	MR01070144BAG		15F-03.09.08	Lower bushing	1	2	90386-30M60
8	MR0104406BAG		GB9074.1 M6x20(8.8)	Flat gasket&Bolt	1	10	
9	MR01060122BAG		15F-03.09.09	Gasket	1	2	689-43373-01
10	MR01080120BAG		15F-03.09.04	Friction plate,Locking	1	5	63V-42528-00
11	MR01070146BAG		15F-03.09.17	Nylon bush,support frame	1	2	90386-07M95
12	MR0104177BAG		GB896 4	Circlip	1	10	99080-05600
13	MR01020120BAG		15F-03.09.16	Pin,support frame	1	2	63V-43659-00
14	MR0104178BAG		GB896 5	Circlip	1	10	90386-22M94
15	MR01020122BAG		15F-03.09.22	Shaft,Tilt Lock	1	2	66R-43611-00
16	MR01080126		15F-03.09.21	Tilt angle outer bracket	1	1	66R-43615-00
17	MR01080125		15F-03.09.20	Tilt angle inner bracket	1	1	63V-43614-10
18	MR01090122BAG		15F-03.09.18	pull Sping	1	5	63V-43656-00
19	MR0104177BAG		GB896 4	Circlip	1	10	99080-05600
20	MR01080122BAG		15F-03.09.10	Angle fixer	1	2	63V-43641-01
21	MR01090121BAG		15F-03.09.11	angle loction rod	1	2	66R-43617-00
22	MR0104178BAG		GB896 5	Circlip	1	10	90386-22M94
23	MR01020119BAG		15F-03.09.14	Sleeve	1	2	
24	MR0104075BAG		GB818 M5x6	Pan head screw with cross recess	1	10	90157-05014
25	MR01090120BAG		15F-03.09.24	Spring	1	2	90507-20M00
26	MR01060123BAG		15F-03.09.12.01	rubber Sleeve	1	2	682-43318-01
27	MR01080144		15F-03.09.12.00	Lever comp.,Steering	1	1	66M-43630-01
28	MR01070145BAG		15F-03.09.13	washer	1	10	
29	MR01020121		15F-03.09.19	Pin	1	1	66R-43611-00
30	MR01080127		15F-03.09.15	Tilt angle fixer	1	1	66M-43350-01
31	MR01090123BAG		15F-03.09.23	Spring	1	2	90508-18M41
32	MR0104411BAG		GB9074.1 M6x55	Flat gasket&bolts	2	10	
33	MR090701010101	MR07010001	15F-00.01	Cushion blocking casing	2	1	
34	MR01100101		15F-01.01.21	Steel cable,brake	1	1	
35	MR0104171BAG		GB97.1 M6	Flat gasket	4	10	
36	MR0104146BAG		GB6170 M6	hexagon nylon lock nut	4	10	
37	MR01060102		15F-00.03	Cushion blocking B	1	1	
38	MR01060101		15F-00.02	Cushion blocking A	2	1	
39	MR0104412BAG		GB9074.1 M6x75	Flat gasket&bolts	2	10	



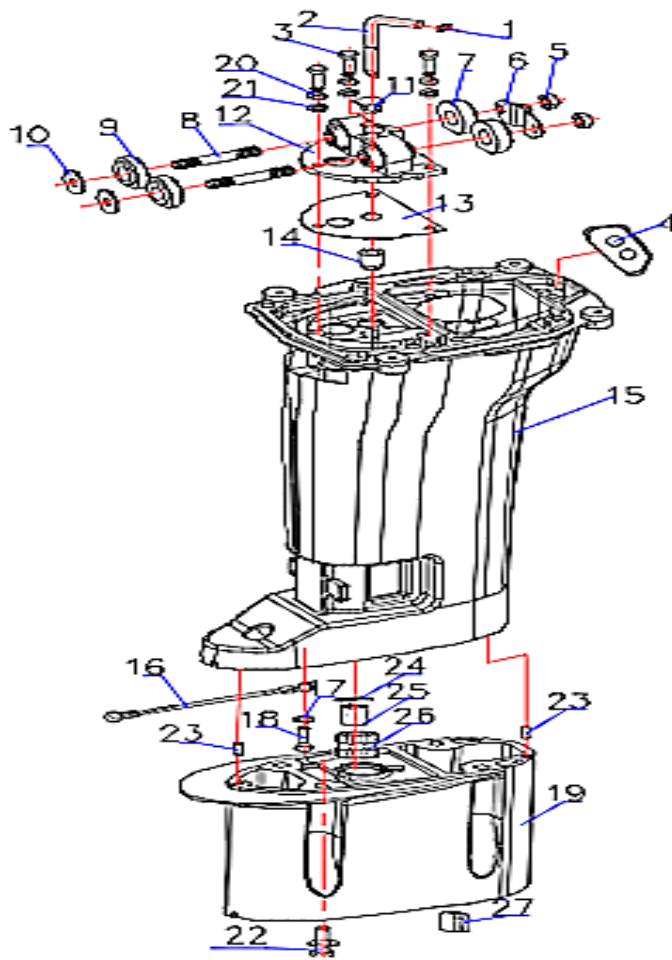
### 8. Кронштейн струбцин

NO.	КОД МР	КОД №2	КОД ОЕМ	НАИМЕНОВАНИЕ	ШТ	УПАКОВКА	YAMAHA
1	MR0104138BAG		GB6170 M6	Hex Nut M6	1	10	95380-06700
2	MR0104158BAG		GB848 M6	Flat pad 6	1	10	92995-06600
3	MR01020123		15F-03.11	Sleeve	1	1	90387-06M13
4	MR0104029BAG		GB5782 M6*145(A2-70)	Bolt	1	5	90101-06M29
5	MR01090147		15F-03.10.00-II	Trim rod	1	1	689-43160-00
6	MR0104087BAG		GB818 M8x10	Cross recessed countersunk head screw	2	10	
7	MR0104082BAG		GB818 M6x8	Screw M6*8	1	10	66M-82148-00
8	MR01100107		15F-03.05.03	Conductive wire	1	1	97885-08010
9	MR01080118BAG		15F-03.05.02.03	Clamp plate	2	2	648-43114-01
10	MR01020527		F9.9-II-03.00.00.02	Clamp Bolt, Transom	2	1	6E7-43116-00
11	MR091001011122	MR01011122	40F-03.05.03.02	intensify handle	2	1	6E0-43118-01
12	MR01020115		15F-03.01	Clamp nut	2	1	90185-22043
13	MR01080117		15F-03.03	Orifice plate	1	1	6J8-43113-01
14	MR01020116		15F-03.04	Bolt	1	1	63W-43131-01
15	MR090701010130	MR07010013		Clamp bracket (left)	1	1	
16	MR01070139BAG		15F-03.02	Nylon gasket	2	2	90202-22M54
17	MR01070141BAG		15F-03.09.02	Damping ring, bracket	2	2	90386-22M94
18	MR01081114BAG		40F-03.03	Washer	4	2	
19	MR090701010131	MR07010014		Clamp bracket (right)	1	1	
20	MR01020118BAG		15F-03.06	Bolt	4	2	90109-06M84
21	MR01080119		15F-03.07	brake pad	2	1	63V-43181-00
22	MR0104222BAG		GB1015 4x18	Bolt	2	10	
23	MR01100109BAG		JB/7940.1	Oil cup	1	2	



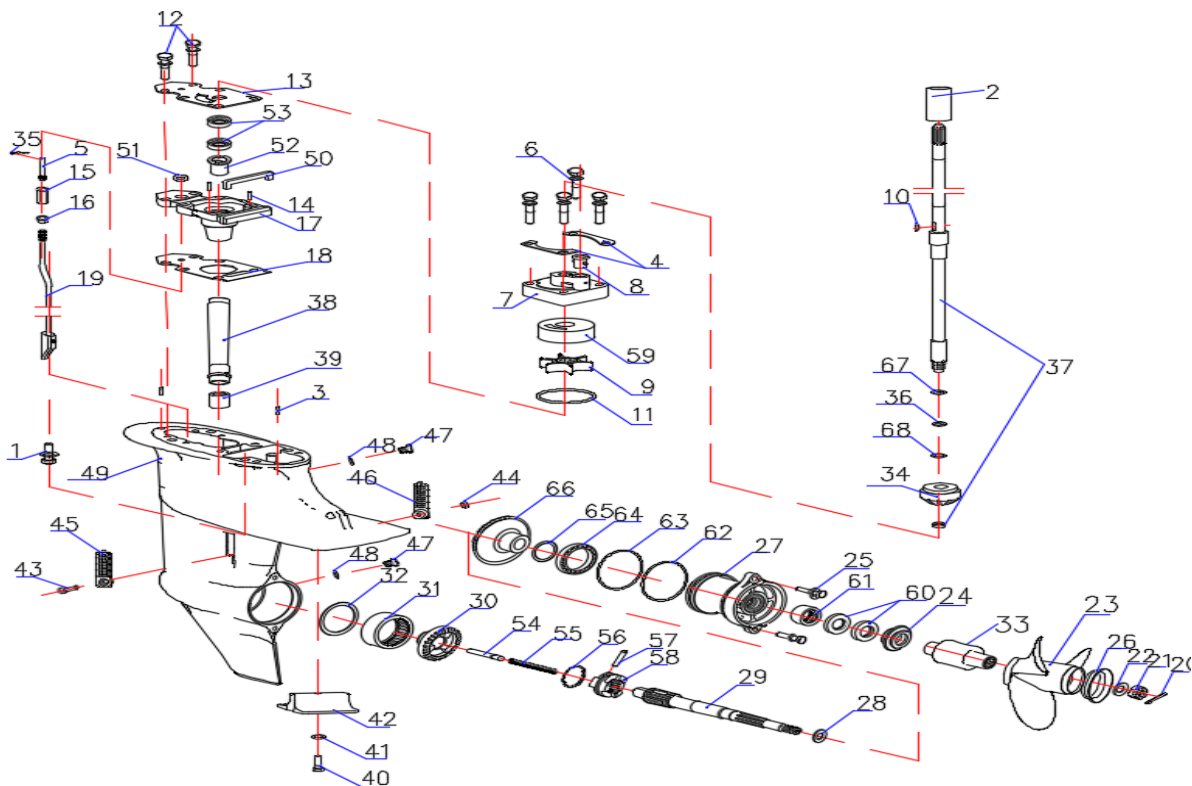
### 9. Поддон двигателя

NO.	КОД МР	КОД №2	КОД ОЕМ	НАИМЕНОВАНИЕ	ШТ	УПАКОВКА	ЯМАНА
1	MR090701010109	MR07010002	15F-II-02.01	Bottom casing	1	1	63V-42711-13-04D
2	MR01060113BAG		15F-02.04	Rubber washer	1	2	6J8-41274-00
3	MR01070135BAG		15F-02.03	Protecting bush,choke	1	2	689-41273-00
4	MR01070134BAG		15F-02.02	Pull rod,choke	1	2	6H4-41271-01
5	MR2060502001BAG		15F-02.12.01	plug	1	2	
6	MR01060119BAG		15F-02.13	Rubber plug	1	2	682-42725-00
7	MR01060114BAG		15F-02.05	Rubber sleeve, handle conncting rod	1	2	63V-42726-00
8	MR01060116BAG		15F-02.09	External pipe rubber bulkhead	2	2	
9	MR0104407BAG		GB9074.1 M6x25	Hexagonal bolt & flat gasket assy M6*25	1	10	
10	MR010901040BAG		15F-01.02.06	Connector,choke	1	10	
11	MR01080115		15F-01.07.02	Fuel hose joint plate	1	1	
12	MR01100106		15F-01.07.01.00	Fuel hose joint assy	1	1	
13	MR01090139BAG			Clamp φ10	2	10	
14	MR01060111BAG		15F-01.07.03	rubber hose	1	2	
15	MR0104407BAG		GB9074.1 M6x25	Hexagonal bolt & flat gasket assy M6*25	4	10	
16	MR01090115BAG		15F-01.05.14	circlip	1	10	
17	MR01060115BAG		15F-02.07	Cushion blocking of bottom seat	4	2	90387-06034
18	MR01020114BAG		15F-02.08	Washer,damping	4	2	90480-15M31
19	MR0104138BAG		GB6170 M6	Hex Nut M6	1	10	
20	MR0104175BAG		GB5287 M6	Flat gasket 6	1	10	90206-12052
21	MR01080147		15F-II-02.21	Hook locker(front)	1	1	6E7-42816-00
22	MR01081111BAG		40F-02.02.00.02	Washer	1	2	90201-06068
23	MR01070179BAG		15F-II-02.19	Plastic bushing	2	2	
24	MR090701010128	MR07010012	15F-II-02.18	Lock handle	1	1	63V-42815-01-4D
25	MR0104374BAG		GB5783 M6x25	Hex Head Bolt M6*25	1	10	95380-06700
26	MR01070137BAG		15F-02.11	Plastic Water nozzle	1	5	6BL-44391-00
27	MR01060117BAG		15F-02.10	protecting bush,gear shifting linkage	1	2	682-42727-00
28	MR01060120BAG		15F-02.14	Rubber plug,Gear shaft	1	2	6G1-42748-00
29	MR01070136BAG		15F-02.06	Fixer,Throttle cable	1	2	90465-25M57
30	MR01060303BAG		F4-01.02.06.06	Rubber plug	1	2	
31	MR01060125BAG		15F-05.02	Gasket	1	2	63V-42716-02
32	MR01070155		15F-04.08.01	shift Gear handle	1	1	
33	MR01090125		15F-04.08.02	gear shifting linkage	1	1	
34	MR01080132BAG		15F-04.08.04	Washer	1	2	
35	MR01020127		15F-04.08.03	Washer	1	1	
36	MR0104410BAG		GB9074.1 M6x40	Bolt	1	10	
37	MR0104158BAG		GB848 M6	Flat pad 6	1	10	
38	MR01100604		9.8F-05.07	connction cable	1	1	
39	MR0104403BAG		GB9074.1 M6*12 (A2-70)	bolt&washer M6*12	1	10	



### 10. Дейдвуд

NO.	КОД MR	КОД №2	КОД OEM	НАИМЕНОВАНИЕ	ШТ	УПАКОВКА	YAMAHA
1	MR01060129BAG		15F-05.06	Rubber ring,water hose	1	2	63V-44365-10
	MR01100113		15F-05.05-S	Hose (S)	1	1	63V-44361-01
2	MR011001130		15F-05.05-L	Hose (L)	1	1	
	MR2100505001		15F-05.05-XL	Hose (XL)	1	1	
3	MR0104012BAG		GB5783 M6x20	Hex Bolt M6*20	3	10	
4	MR01060126BAG		15F-05.03	Blocker	1	2	63V-45126-01
5	MR0104139BAG		GB6170 M8	Bolt nut	2	10	
6	MR01080128BAG		15F-04.01.04	Plate	1	2	63V-44526-00
7	MR01060148BAG		15F-00.10	damper Sleeve	2	2	
8	MR01020520		F9.9-04.01.00.04	Bolt	2	1	90116-08M54
9	MR01060147BAG		15F-00.09	Sleeve	2	2	
10	MR0104165BAG		GB96 M8	Flat gasket	2	10	
11	MR01060128BAG		15F-05.04.05	Rubber ring(upper),hose	1	2	
12	MR01060127		15F-05.04.00	Upper damper comp.	1	1	63V-44514-01-5B
13	MR01050125BAG		15F-05.04.04	seal gasket	1	2	63V-45114-A1
14	MR01060130BAG		15F-05.07	Rubber ring(lower),hose	1	2	63V-44368-00
15	MR090701010115	MR07010006	15F-05.01-S	Upper casing (S)	1	1	
	MR0907010101150	MR07010007	15F-05.01-L	Upper casing (L)	1	1	
16	MR01100114		15F-05.08	Connector parts	1	1	
17	MR0104158BAG		GB848 M6	Flat pad 6	1	10	
18	MR0104126BAG		GB818 M6x10	Bolt	1	10	
19	MR09072010505001	MR2010505001	15F-05.00.00.01	Connecting block (super long )	1	1	
20	MR0104154BAG		GB93 M6	Spring Washer	1	10	
21	MR0104171BAG		GB97.1 M6	Flat gasket	1	10	
22	MR01044130BAG		GB9074.1 M8x30(8.8)	Flat gasket&bolts	4	5	
23	MR01020129BAG		15F-06.03.08	dowel pin (long shaft)	2	10	
24	MR0104206BAG		GB/T893.1 Φ25	circlip (long shaft)	1	10	
25	MR2020505001		15F-05.00.00.04	locating sleeve (long shaft)	1	1	
26	MR2060505003		15F-05.00.00.03	rubber sleeve (long shaft)	1	1	
27	MR2060505002		15F-05.00.00.02	sealing strip (long shaft)	1	1	



### 11. Редуктор

NO.	КОД MR	КОД №2	КОД OEM	НАИМЕНОВАНИЕ	ШТ	УПАКОВКА	YAMAHA
1	MR01044130BAG		GB9074.1 M8x30(8.8)	Flat gasket&bolts	4	5	97075-08030
2	MR01070101BAG		15F-00.04	Nylon Washer	1	2	
3	MR01020129BAG		15F-06.03.08	Cotter Pin 4*12(short shaft)	2	10	93604-12M07
4	MR01080134BAG		15F-06.02.07	Dead plate,water pump	2	2	63V-44328-00
5	MR01090116		15F-01.05.13	Gear shift lever	1	1	63V-44143-01
6	MR0104040BAG		GB5783 M8x45	Bolt	4	10	97080-08045
7	MR01070159		15F-06.02.01	Water pump housing comp.	1	1	63V-44301-00
8	MR01060134BAG		15F-06.02.06	Seal Gasket,water hose	1	2	647-44366-00
9	MR01060133		15F-06.02.04	Impeller	1	1	63V-44352-01
10	MR01100115BAG		15F-06.01.09	Woodruff key	1	2	63V-44338-00
11	MR01060132		15F-06.02.02	O ring,water pump casing	1	1	93210-44398
12	MR01044134BAG		GB9074.1 M8x25 (8.8)	Hexagonal bolt & flat gasket assy M8*25	2	10	
13	MR010801350		15F-06.03.01	pressing plate,bearing seat	1	1	63V-44323-00
14	MR01020129BAG		15F-06.03.08	Cotter Pin 4*12(short shaft)	2	10	93604-12M07
15	MR01020130BAG		15F-06.04.05	Column nut	1	2	61N-44146-00
16	MR0104138BAG		GB6170 M6	Hex Nut M6	1	10	95380-06700
17	MR01010118	MR090701010118	15F-06.03.02	Bearing seat casing	1	1	63V-45331-00-5B
18	MR01050134BAG		15F-06.03.07	Gasket,bearing seat	1	5	63V-45315-A0
	MR01090127		15F-06.04.00-S	Shift cam assy.(S)	1	1	63V-44150-00
19	MR010901270		15F-06.04.00-L	Shift cam assy.(L)	1	1	
	MR2090506004		15F-06.04.00-XL	Shift cam assy.(XL)	1	1	
20	MR0104189BAG		GB91 2.5x25	Cotter Pin 2.5*20	1	10	91490-30020
21	MR01020134		15F-06.14.06	Nut	1	1	90171-10M01
22	MR0104166BAG		GB96 M10	Gasket	1	10	90201-10M01
23	MR01010125	MR010101250	15F-06.14.01- II	Propeller	1		
	MR030301	MR08150004	15F-06.14.00.00	Propeller Assy.	1	1	683-45945-00-EL
24	MR01020133		15F-06.13	Bushing	1	1	6E7-45987-01
25	MR0104406BAG		GB9074.1 M6x20(8.8)	Flat gasket&Bolt	2	10	97095-06020
26	MR01010121		15F-06.14.02	Propeller shaft	1		
27	MR090701010119	MR07010009	15F-06.12.06	Cap,lower casing	1	1	683-45361-02-4D
28	MR01080138BAG		15F-06.11	gasket ring	1	10	
29	MR01050137		15F-06.10.01	Propeller shaft	1	1	683-45611-00
30	MR01050136A			spiral bevel,forward gear	1	1	6E7-45560-01
31	MR01050135		15F-06.07	Roller Bearings	1	1	93332-00005
32	MR010801360BAG		15F-06.08-0.1	Shim	2	5	664-45567-01
33	MR01060139		15F-06.14.03	Propeller shaft teeth	1	1	
34	MR01050129A			Pinion gear	1	1	63V-45551-00
35	MR01090115BAG		15F-01.05.14	circlip	1	10	
36	MR01050131		15F-06.01.13	Roller Bearings	1	1	93341-41414
	MR01050128		15F-06.01.08-S	Drive shaft (S)	1	1	63V-45510-01
37	MR01050144		15F-06.01.08-L	Drive shaft (L)	1	1	
	MR2050506001		15F-06.01.08-XL	Drive shaft (XL)	1	1	

38	MR01070158BAG		15F-06.01.07	Nylon bushing	1	2	63V-45536-00
39	MR01050151		15F-06.01.14	Roller Needle Bearings	1	1	93315-314V8
40	MR0104408BAG		GB9074.1	Bolt	1	10	
41	MR0104155BAG		GB861.1 M6	Washer,inner gear	1	10	92990-06300
42	MR01010122		15F-06.15	Anode	1	1	61N-45251-01
43	MR0104116BAG		GB820 M5x20	Cross recessed countersunk head screw	1	10	90152-05M04
44	MR0104145BAG		DIN985 M5	Hexagonal nut	1	10	90185-05002
45	MR01070156BAG		15F-06.01.05	Water inlet cover	1	2	6G1-45214-00
46	MR01070157BAG		15F-06.01.06	cover,water inlet	1	2	63V-45215-00
47	MR01020128BAG		15F-06.01.03	plug,straight screw	2	2	90340-08002
48	MR01080139BAG		15F-06.01.04	Gasket	2	10	90430-08020
49	MR090701010117	MR07010008	15F-06.01.02	Lower casing	1	1	63V-45311-01-4D
50	MR01060136BAG		15F-06.03.04	Sealing strip,bearing seat	1	2	
51	MR01060135BAG		15F-06.03.03	Shift lever o-ring	1	2	93210-06ME6
52	MR01050133		15F-06.03.06	Bearing	1	1	626-45316-09
53	MR01050132		15F-06.03.05	Oil seal	2	1	93101-20048
54	MR01020136BAG		15F-06.10.06 (S)	Shift plunger (S=43)	1	2	
55	MR01090130BAG		15F-06.10.05	Compression spring	1	2	90501-14M06
56	MR01090129BAG		15F-06.10.04	Circlip	1	2	648-45633-06
57	MR01020131BAG		15F-06.10.03	Pin	1	10	90250-05010
58	MR01050138		15F-06.10.02	Dog clutch	1	1	682-45631-00
59	MR01080133		15F-06.02.03	Insert, cartridge	1	1	63V-44322-00
60	MR01050142		15F-06.12.08	Oil seal	2	1	93101-17054
61	MR01050141		15F-06.12.07	Needle bearing	1	1	93315-317U2
62	MR01060137		15F-06.12.04	O ring	1	1	93210-56M80
63	MR01060138		15F-06.12.05	O ring	1	1	93210-57M09
64	MR01050140		15F-06.12.03	deep groove ball bearing	1	1	93306-00501
65	MR010801370BAG		15F-06.12.02-0.1	shim	1	10	626-45577-00
66	MR01050139A			Reverse gear	1	1	6E7-45571-00
67	MR2080506002		15F-06.01.16	Thrust washer	1	1	
68	MR2080506001		15F-06.01.11	Adjusting washer	1	1	
	MR030503	MR08140012	15F(S)-06.00.00.00	Lower Casing Assy. (S)	1	1	
	MR030504	MR08140011	15F(L)-06.00.00.00	Lower Casing Assy. (L)	1	1	

## 12.Аксессуары

NO.	КОД MR	КОД №2	КОД OEM	НАИМЕНОВАНИЕ	ШТ	УПАКОВКА	YAMAHA
1	MR01020128BAG		15F-06.01.03	thread plug,straight screw	1	2	90340-08002
2	MR0104189BAG		GB91 2.5*20	cotter pin	1	10	
3	MR01060133		15F-06.02.04	water pump impeller	1	1	63V-44352-01
4	MR01070166		15F-08.00.00	fuel case Assy.	1	1	
5	MR01070168BAG		15F-09.01	emergency starting handle	1	2	
6	MR01080139BAG		15F-06.01.04	thread plug seal gasket	2	10	90430-08020
7	MR01100103		15F-01.01.22	starter rope	1	1	
8	MR01100119		15F-08.01.06.00	Fuel Hose With Connector	1	1	
9	MR01100134		15F-09.00	toolkit	1	1	